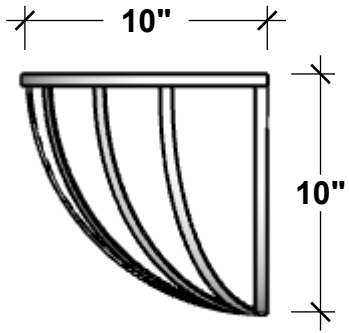
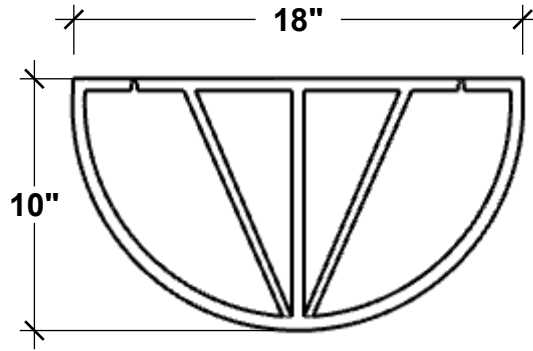


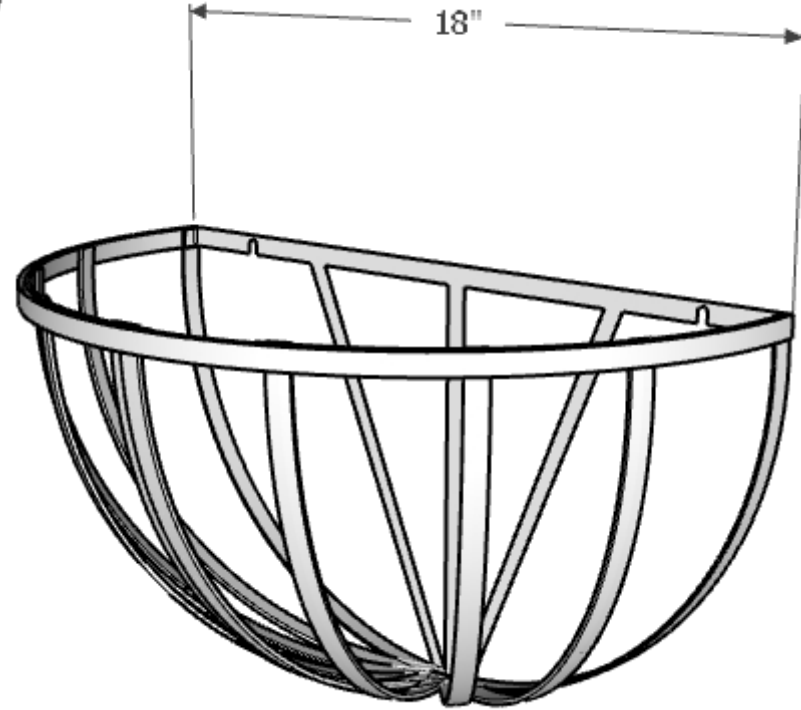
**SIDE VIEW**



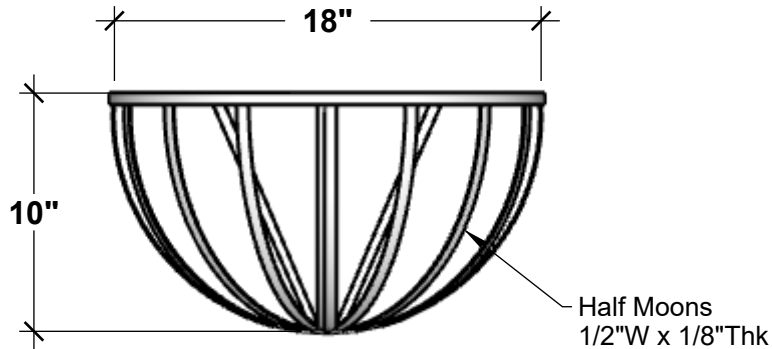
**BACK VIEW**



**PERSPECTIVE VIEW**



**FRONT VIEW**



**GENERAL NOTES**

**CUSTOMER SIGNATURE**



**HOOKS & LATTICE**

6056 Corte Del Cedro, Carlsbad CA 92011  
 1-888-320-0626/service@plantersunlimited.com  
 www.plantersunlimited.com

PRODUCT DESCRIPTION	SKU				ORDER NUMBER
HALF MOON WALL PLANTER BASKET w/ COCO	CM-722118				-
DIMENSIONS	COLOR	FINISH	REP:	DB:	DATE
-	-	-	Charlie	RM	08/2024

