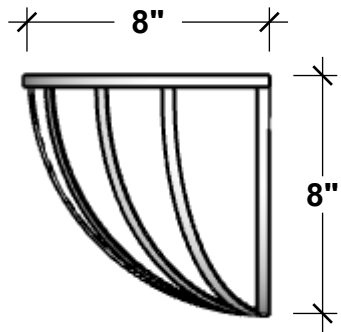
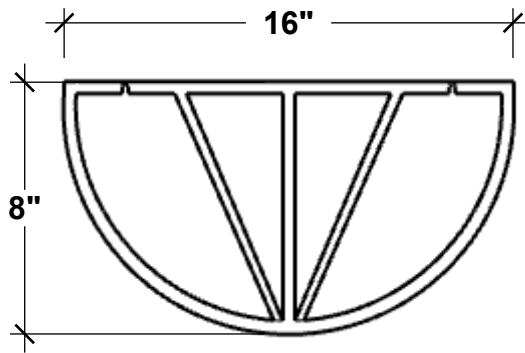


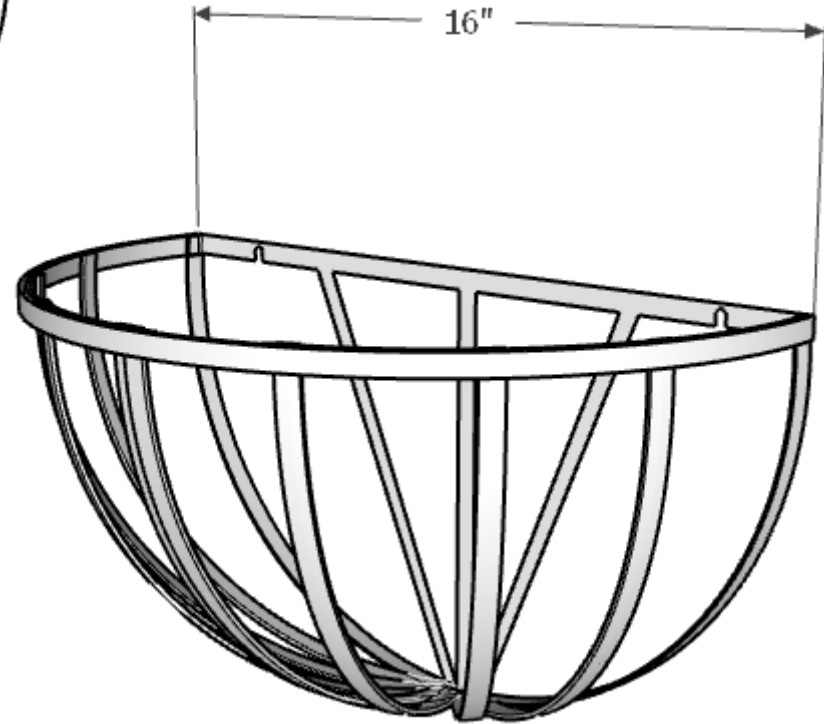
SIDE VIEW



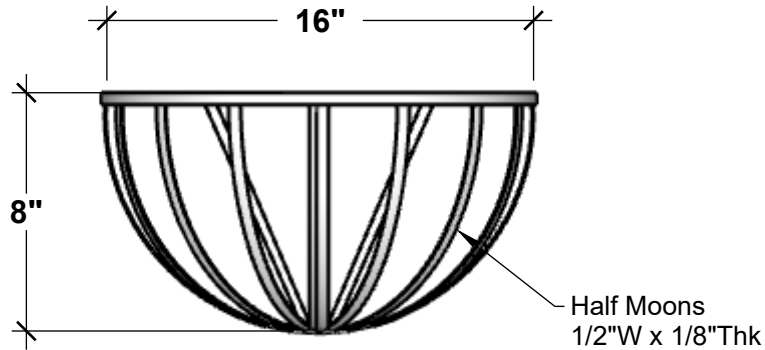
BACK VIEW



PERSPECTIVE VIEW



FRONT VIEW



GENERAL NOTES

CUSTOMER SIGNATURE



HOOKS & LATTICE

6056 Corte Del Cedro, Carlsbad CA 92011
 1-888-320-0626/service@plantersunlimited.com
 www.plantersunlimited.com

PRODUCT DESCRIPTION	SKU		ORDER NUMBER		
HALF MOON WALL PLANTER BASKET w/ COCO	CM-722116		-		
DIMENSIONS	COLOR	FINISH	REP:	DB:	DATE
-	-	-	Charlie	RM	08/2024

