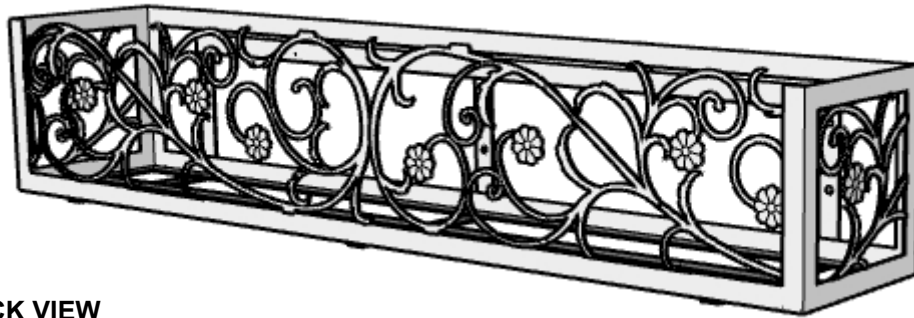
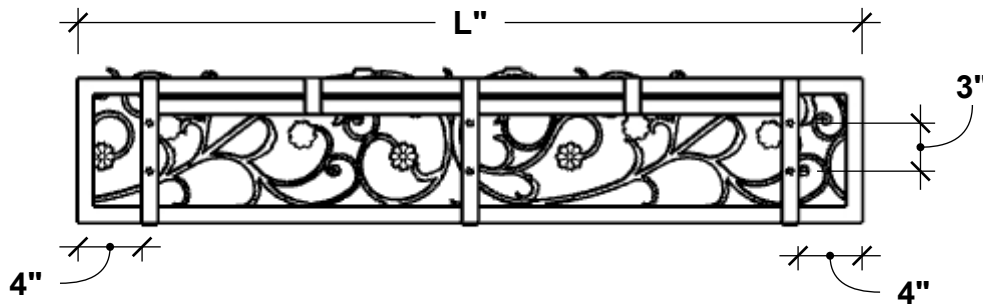


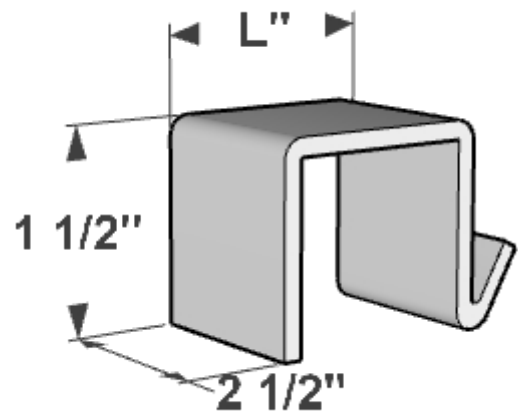
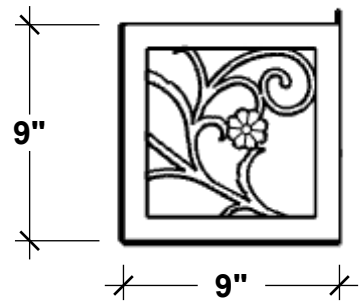
PERSPECTIVE VIEW



BACK VIEW



SIDE VIEW



Size	Actual Dimensions of Liner Fitment
24"	25"L x 9"W x 9"H
30"	31"L x 9"W x 9"H
36"	37"L x 9"W x 9"H
42"	43"L x 9"W x 9"H
48"	49"L x 9"W x 9"H
60"	61"L x 9"W x 9"H
72"	73"L x 9"W x 9"H

Bracket Width Options	
1"W	Fits 1" Wide Rail
1.25"W	Fits 1.25" Wide Rail
1.5"W	Fits 1.5" Wide Rail
1.75"W	Fits 1.75" Wide Rail
2"W	Fits 2" Wide Rail

GENERAL NOTES
1. Frame, 1" x 0.1875" Angle Aluminum. Bottom and Rear Supports 1" Aluminum Flat Bar.
2. Aluminum Floral Panel (KM 11-750), Use KM Panel or Manufacture to Specification. See Detail for How to Cut Pattern.
3. Mounting Holes 3/8" Dia.
4. 7mm clearance between Back Bars to allow 0.25" Lag Bolt to Mount anywhere along slot created by in mounting holes.
5. Simply place the Bracket on Top of the Railing and the back of the flower Planter Box will securely sit in the V-Shape of the Bracket. No Hardware is Necessary

HOOKS & LATTICE

A CARLSBAD MANUFACTURING COMPANY

1 (800) 896-0978

HooksandLattice.com

PRODUCT DESCRIPTION				SKU				PREPARED FOR		APPROVAL SIGNATURE
FRENCH QUARTER RAILING PLANTER FOR FLAT METAL RAILINGS				CM-701-X-413RB-X						
DIMENSIONS	MATERIAL	COLOR / FINISH	REP	DB	DATE	REV	ORDER #	PROJECT / SIDEMARK / IF#		APPROVAL DATE
			Cressa	RM	02/2025					

PLEASE NOTE: Due to the handmade nature of our products, individual measurements may vary from those listed. The provided dimensions are for reference only

All images are the intellectual property of Hooks and Lattice. Reproduction in any form is strictly prohibitive without the express written permission of Hooks and Lattice. All designs are property of Hooks and Lattice.