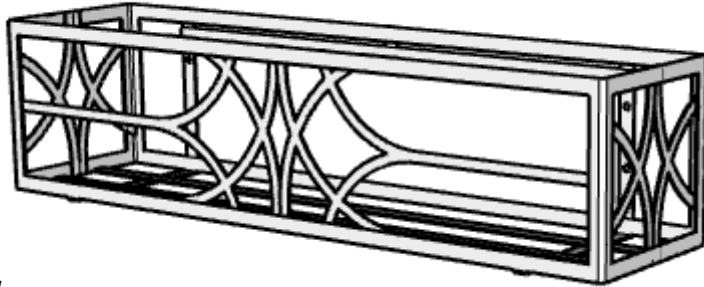
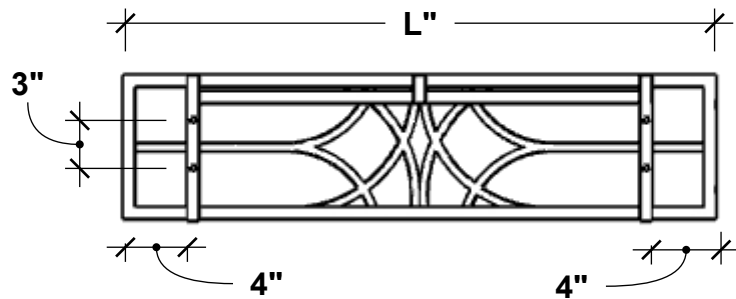


PERSPECTIVE VIEW

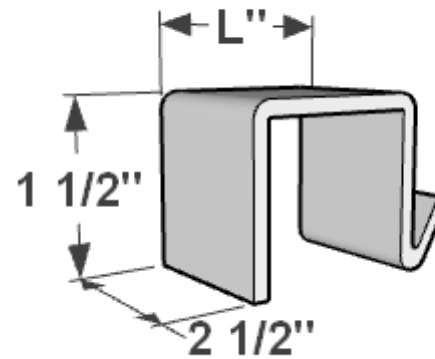
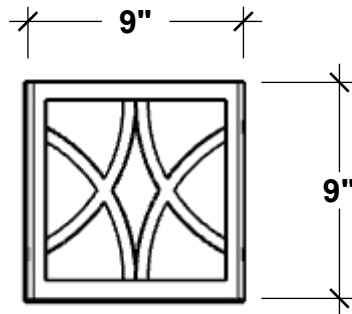


Size	Actual Dimensions of Liner Fitment
24"	25"L x 9"W by 9"H
30"	31"L x 9"W by 9"H
36"	37"L x 9"W by 9"H
42"	43"L x 9"W by 9"H

BACK VIEW



BACK VIEW



Bracket Width Options	
1"W	Fits 1" Wide Rail
1.25"W	Fits 1.25" Wide Rail
1.5"W	Fits 1.5" Wide Rail
1.75"W	Fits 1.75" Wide Rail
2"W	Fits 2" Wide Rail

GENERAL NOTES
1. Design Fabricated with 1/2" x 0.875" Flat Bar. 2. Cage Frame and Supports fabricated with 3/4" x 0.875" Flat Bar. 3. Mounting Holes: 0.28" Dia (7mm) 4. Simply place the bracket on top of the railing and the back of the flower planter box will securely sit in the V-Shape of the bracket. (No Hardware is Necessary)

HOOKS & LATTICE

A CARLSBAD MANUFACTURING COMPANY

1 (800) 896-0978

HooksandLattice.com

PRODUCT DESCRIPTION				SKU				PREPARED FOR		APPROVAL SIGNATURE
FALLING WATER RAILING PLANTER - FOR FLAT METAL RAILINGS (SMALL SIZE)				543C-X-413RB-X						
DIMENSIONS	MATERIAL	COLOR / FINISH	REP	DB	DATE	REV	ORDER #	PROJECT / SIDEMARK / IF#		APPROVAL DATE
			Cressa	RM	02/2025					

PLEASE NOTE: Due to the handmade nature of our products, individual measurements may vary from those listed. The provided dimensions are for reference only

All images are the intellectual property of Hooks and Lattice. Reproduction in any form is strictly prohibitive without the express written permission of Hooks and Lattice. All designs are property of Hooks and Lattice.