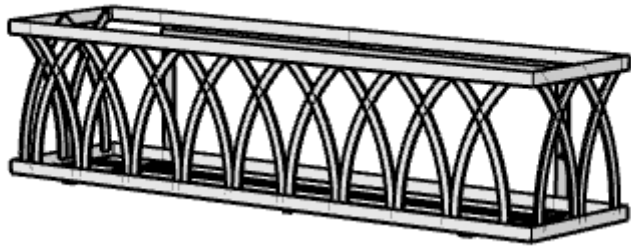
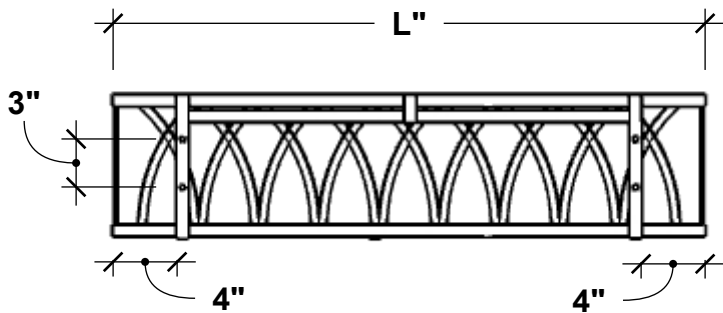


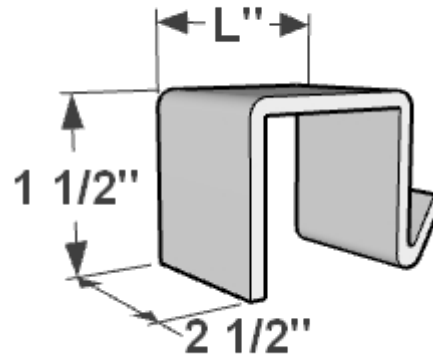
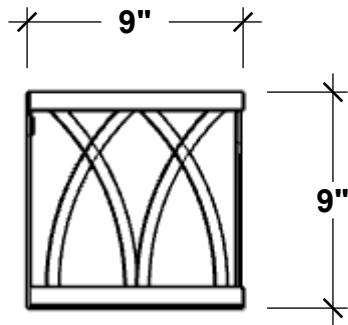
PERSPECTIVE VIEW



BACK VIEW



BACK VIEW



Size	Actual Dimensions of Liner Fitment
24"	25"L x 9"W by 9"H
30"	31"L x 9"W by 9"H
36"	37"L x 9"W by 9"H
42"	43"L x 9"W by 9"H
48"	49"L x 9"W by 9"H
60"	61"L x 9"W by 9"H
72"	73"L x 9"W by 9"H

Bracket Width Options	
1"W	Fits 1" Wide Rail
1.25"W	Fits 1.25" Wide Rail
1.5"W	Fits 1.5" Wide Rail
1.75"W	Fits 1.75" Wide Rail
2"W	Fits 2" Wide Rail

GENERAL NOTES
1. Frame, Back and Bottom supports: 3/4"W x 3/16" Thk Flat Bar 2. Design: 1/2"W x 3/16" Thk Flat Bar 3. Simply place the bracket on top of the railing and the back of the flower planter box will securely sit in the V-Shape of the bracket. (No Hardware is Necessary) 4. Arches must align consistently along the length Box.

HOOKS & LATTICE

A CARLSBAD MANUFACTURING COMPANY

1 (800) 896-0978

HooksandLattice.com

PRODUCT DESCRIPTION				SKU				PREPARED FOR		APPROVAL SIGNATURE
ARCH RAILING PLANTER - FOR FLAT METAL RAILINGS				540C-X-413RB-X						
DIMENSIONS	MATERIAL	COLOR / FINISH	REP	DB	DATE	REV	ORDER #	PROJECT / SIDEMARK / IF#		APPROVAL DATE
			Cressa	RM	02/2025					

PLEASE NOTE: Due to the handmade nature of our products, individual measurements may vary from those listed. The provided dimensions are for reference only

All images are the intellectual property of Hooks and Lattice. Reproduction in any form is strictly prohibitive without the express written permission of Hooks and Lattice. All designs are property of Hooks and Lattice.