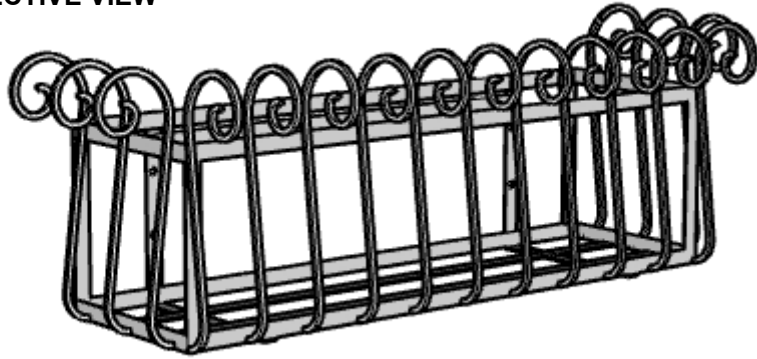
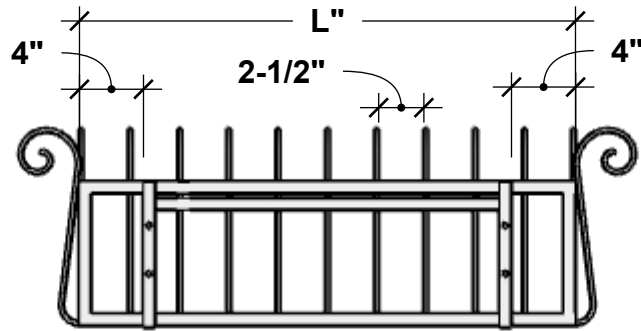


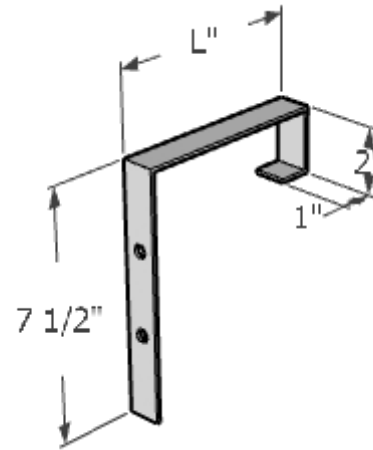
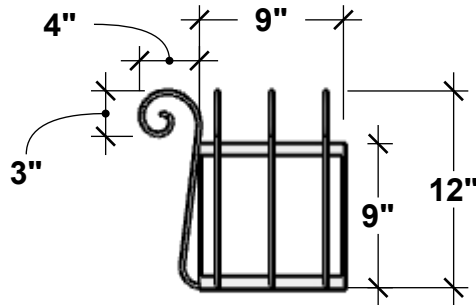
PERSPECTIVE VIEW



BACK VIEW



SIDE VIEW



Size	Actual Dimensions of Liner Fitment
24"	w/ 9 Scrolls, 25"L, Exterior Scrolls = 33"
30"	w/ 11 Scrolls, 31"L, Exterior Scrolls = 39"
36"	w/ 12 Scrolls, 37"L, Exterior Scrolls = 45"
42"	w/ 13 Scrolls, 43"L, Exterior Scrolls = 51"
48"	w/ 14 Scrolls, 49"L, Exterior Scrolls = 57"
60"	w/ 17 Scrolls, 61"L, Exterior Scrolls = 69"
72"	w/ 19 Scrolls, 73"L, Exterior Scrolls = 81"

Flat Rail Bracket Size	L=Length Dimension
2x4	4 x 7 1/2 x 2
2x6	6 x 7 1/2 x 2
2x8	8 x 7 1/2 x 2

GENERAL NOTES
1. Scroll Diameter is 4". Scroll measure 4"W x 12"H. Scrolls adds 8" to overall length, 4" to Overall width. 2. (3) Scrolls on each end. 3. Scrolls fabricated with 1/4" Square Tube and Cage fabricated with 1/2" x 0.1875" Flat Bar 4. Mounting Holes 0.28"Dia. (7mm) 5. 1" Mounting Strap along the back with the pre-drilled holes. Bracket Hardware Included

HOOKS & LATTICE

A CARLSBAD MANUFACTURING COMPANY

1 (800) 896-0978

HooksandLattice.com

PRODUCT DESCRIPTION				SKU				PREPARED FOR		APPROVAL SIGNATURE
HEATHERBROOK RAILING PLANTER FOR WOOD RAILINGS				530-BLK-X-415RB-X						
DIMENSIONS	MATERIAL	COLOR / FINISH	REP	DB	DATE	REV	ORDER #	PROJECT / SIDEMARK / IF#		APPROVAL DATE
			Cressa	RM	02/2025					

PLEASE NOTE: Due to the handmade nature of our products, individual measurements may vary from those listed. The provided dimensions are for reference only

All images are the intellectual property of Hooks and Lattice. Reproduction in any form is strictly prohibitive without the express written permission of Hooks and Lattice. All designs are property of Hooks and Lattice.