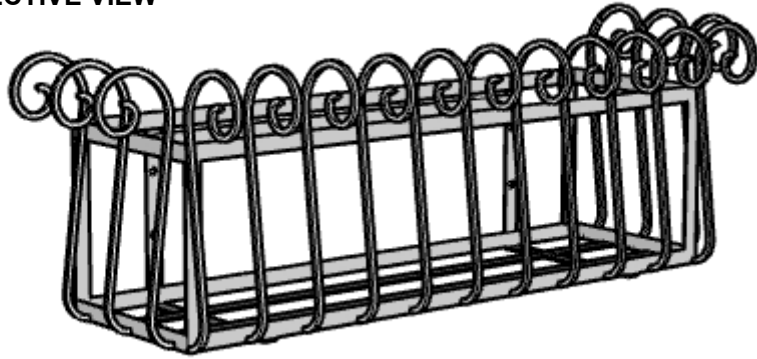
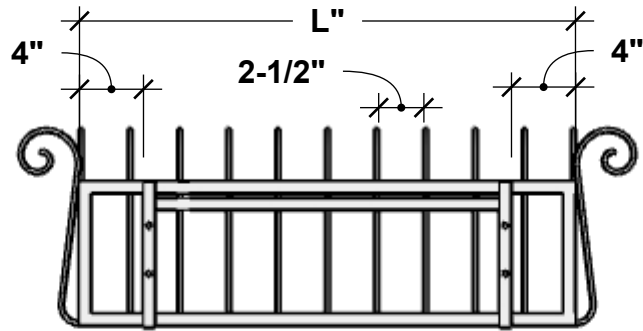


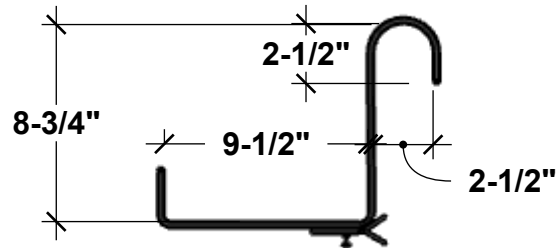
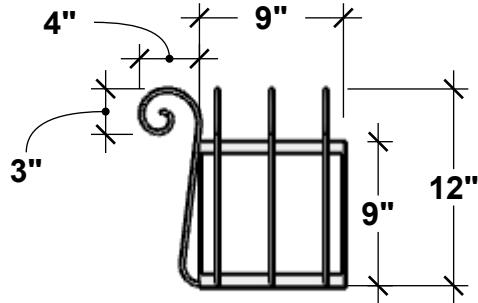
**PERSPECTIVE VIEW**



**BACK VIEW**



**SIDE VIEW**



Size	Actual Dimensions of Liner Fitment
24"	w/ 9 Scrolls, 25"L, Exterior Scrolls = 33"
30"	w/ 11 Scrolls, 31"L, Exterior Scrolls = 39"
36"	w/ 12 Scrolls, 37"L, Exterior Scrolls = 45"
42"	w/ 13 Scrolls, 43"L, Exterior Scrolls = 51"
48"	w/ 14 Scrolls, 49"L, Exterior Scrolls = 57"
60"	w/ 17 Scrolls, 61"L, Exterior Scrolls = 69"
72"	w/ 19 Scrolls, 73"L, Exterior Scrolls = 81"

**HOOKS & LATTICE**

A CARLSBAD MANUFACTURING COMPANY

1 (800) 896-0978

HooksandLattice.com

**GENERAL NOTES**

1. Scroll Diameter is 4".  
Scroll measure 4"W x 12"H. Scrolls adds 8" to overall length, 4" to Overall width.
2. (3) Scrolls on each end.
3. Scrolls fabricated with 1/4" Square Tube and Cage fabricated with 1/2" x 0.1875" Flat Bar
4. Mounting Holes 0.28"Dia. (7mm)
5. Window Box will rest on Bracket Shelf.  
Place brackets evenly-no more than 24" between brackets for quality support.

PRODUCT DESCRIPTION				SKU				PREPARED FOR		APPROVAL SIGNATURE
HEATHERBROOK RAILING PLANTER FOR ROUND RAILINGS				530-BLK-X-414RB95						
DIMENSIONS	MATERIAL	COLOR / FINISH	REP	DB	DATE	REV	ORDER #	PROJECT / SIDEMARK / IF#		APPROVAL DATE
			Cressa	RM	02/2025					

PLEASE NOTE: Due to the handmade nature of our products, individual measurements may vary from those listed. The provided dimensions are for reference only

All images are the intellectual property of Hooks and Lattice. Reproduction in any form is strictly prohibitive without the express written permission of Hooks and Lattice. All designs are property of Hooks and Lattice.