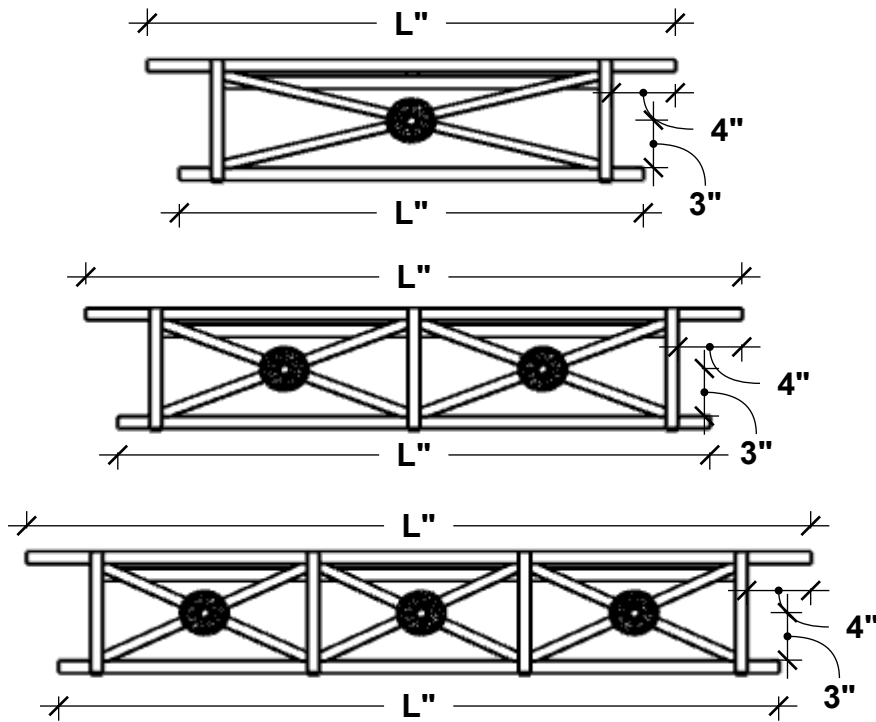


FRONT VIEW

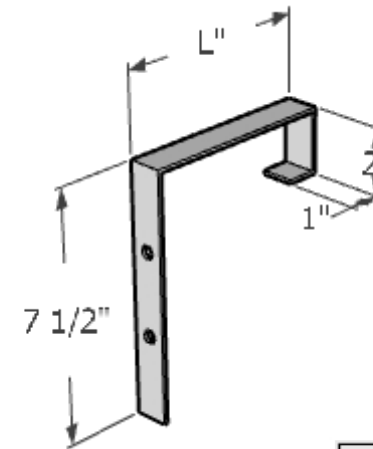
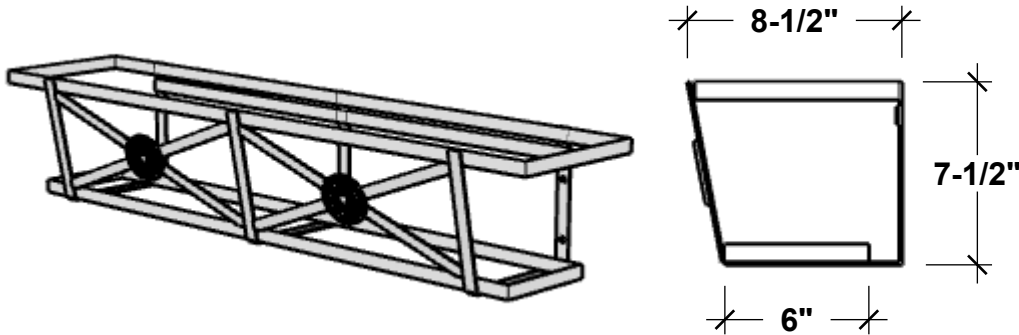


| Size | L=Actual Dimensions Liner Fitment |
|------|-----------------------------------|
| 24" | 25" Top 22" Bottom |
| 30" | 31" Top 28" Bottom |
| 36" | 37" Top 34" Bottom |

| Size | L=Actual Dimensions Liner Fitment |
|------|-----------------------------------|
| 42" | 43" Top 40" Bottom |
| 48" | 49" Top 46" Bottom |

| Size | L=Actual Dimensions Liner Fitment |
|------|-----------------------------------|
| 60" | 61" Top 58" Bottom |
| 72" | 73" Top 70" Bottom |

PERSPECTIVE VIEW



| Flat Rail Bracket Size | L=Length Dimension |
|------------------------|--------------------|
| 2x4 | 4 x 7 1/2 x 2 |
| 2x6 | 6 x 7 1/2 x 2 |
| 2x8 | 8 x 7 1/2 x 2 |

| GENERAL NOTES |
|----------------------------------------------------------------------------------------------------------------------------------------------------------------------------------------------------------------------------|
| 1. Frame, back and bottom supports: 3/4"W x 1/8"Thk Flat Bar 2. Medallion: KM 45-9050 3. Mounting Holes: 1/4"Dia. 4. 1" Mounting Strap along the back with the pre-drilled holes. Bracket Hardware Included |

HOOKS & LATTICE

A CARLSBAD MANUFACTURING COMPANY

1 (800) 896-0978

HooksandLattice.com

| PRODUCT DESCRIPTION | | | | SKU | | | | PREPARED FOR | | APPROVAL SIGNATURE |
|---------------------------------------------|----------|----------------|--------|----------------|---------|-----|---------|--------------------------|---------------|--------------------|
| MEDALLION RAILING PLANTER FOR WOOD RAILINGS | | | | 509B-X-415RB-X | | | | | | |
| DIMENSIONS | MATERIAL | COLOR / FINISH | REP | DB | DATE | REV | ORDER # | PROJECT / SIDEMARK / IF# | APPROVAL DATE | |
| | | | Cressa | RM | 01/2025 | | | | | |

PLEASE NOTE: Due to the handmade nature of our products, individual measurements may vary from those listed. The provided dimensions are for reference only

All images are the intellectual property of Hooks and Lattice. Reproduction in any form is strictly prohibitive without the express written permission of Hooks and Lattice. All designs are property of Hooks and Lattice.