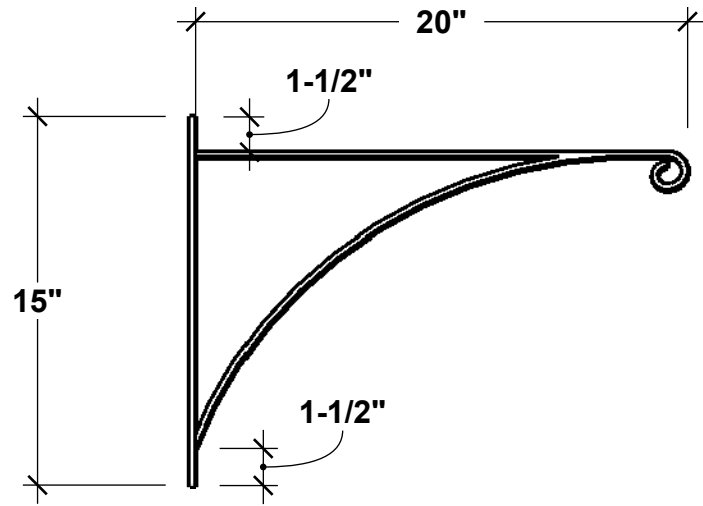
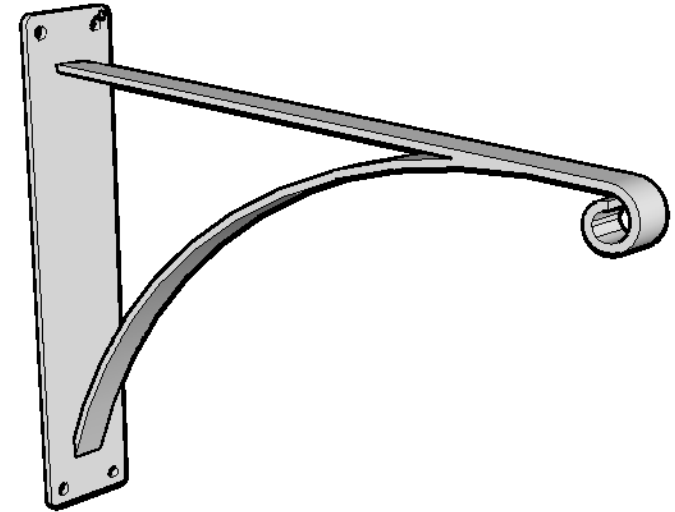


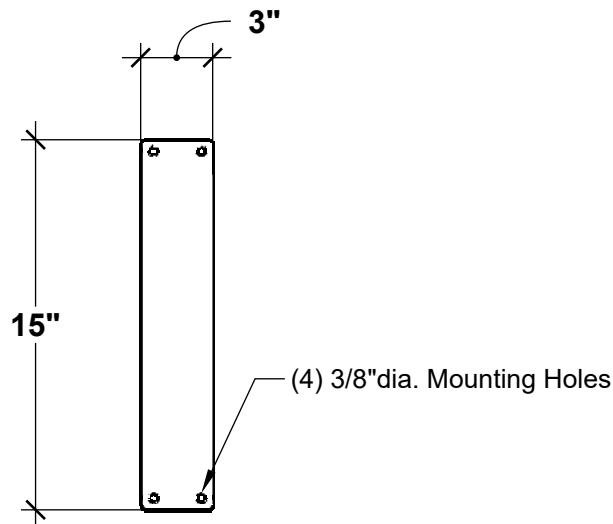
FRONT VIEW



PERSPECTIVE VIEW



BACKPLATE VIEW



GENERAL NOTES

CUSTOMER SIGNATURE



HOOKS & LATTICE

6056 Corte Del Cedro, Carlsbad CA 92011
 1-888-320-0626/service@plantersunlimited.com
 www.plantersunlimited.com

PRODUCT DESCRIPTION	SKU		ORDER NUMBER		
SIMPLE ARCH WALL MOUNT HANAGING BASKET BRACKET	303-SA-WM-HB				
DIMENSIONS	COLOR	FINISH	REP:	DB:	DATE
20"L x 15"h	Black Powder Coat		Isaac	IG	11/2023

