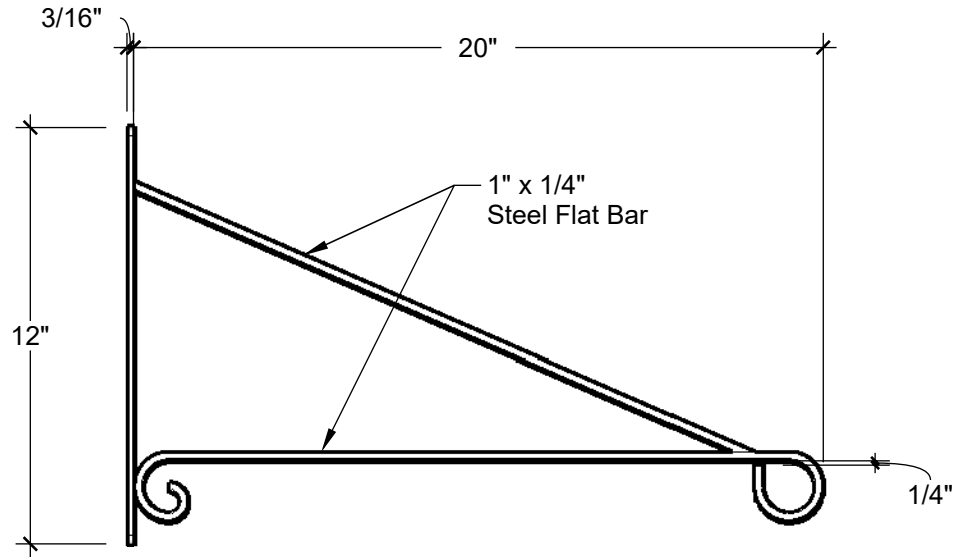
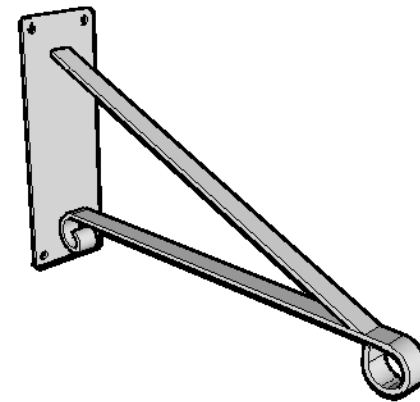


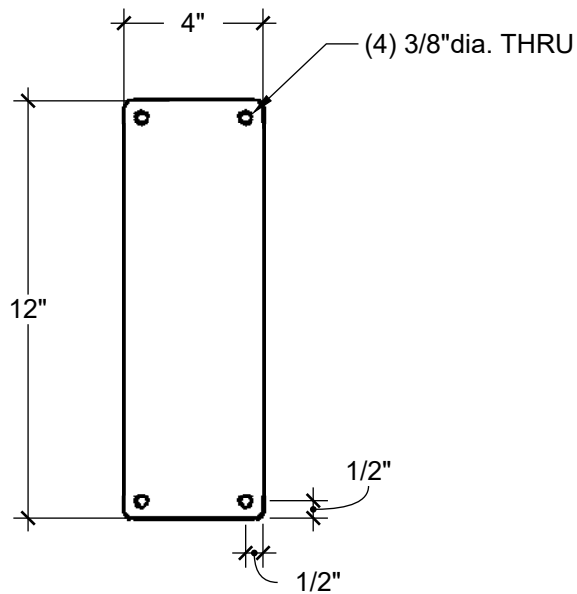
ELEVATION VIEW



PERSPECTIVE VIEW



BACKPLATE VIEW



GENERAL NOTES

FOR USE WITH 18" AND 22" HANGING BASKET

CUSTOMER SIGNATURE



HOOKS & LATTICE

6056 Corte Del Cedro, Carlsbad CA 92011
1-888-320-0626/service@plantersunlimited.com
www.plantersunlimited.com

PRODUCT DESCRIPTION	SKU				ORDER NUMBER
HEAVY DUTY WALL MOUNTED HANGING BASKET BRACKET	301-20-WM				
DIMENSIONS	COLOR	FINISH	REP:	DB:	DATE
20"L	Black			IG	05/2023

