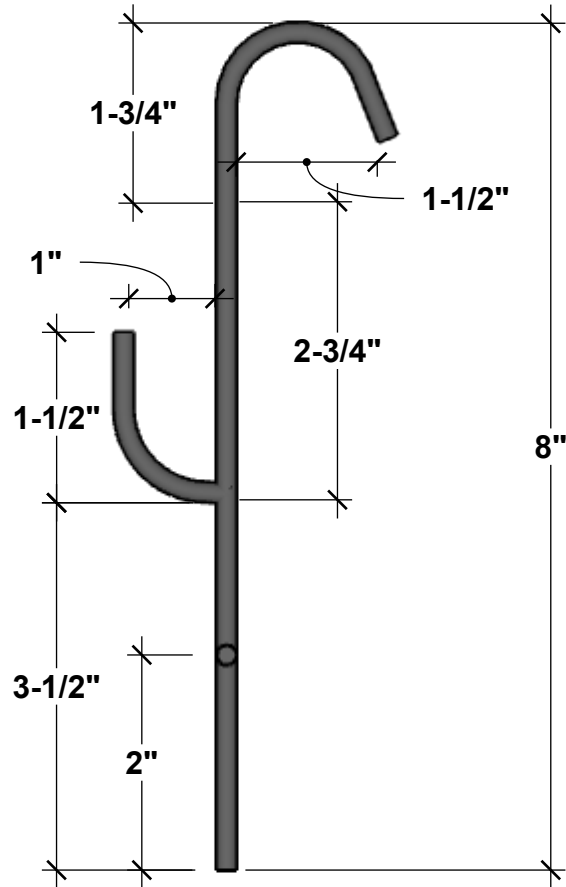
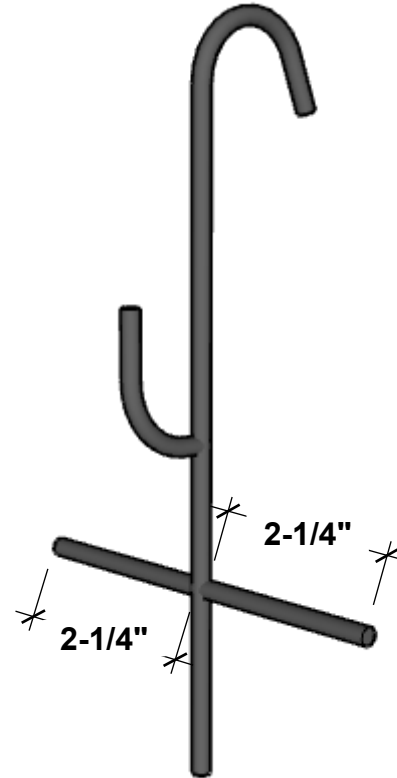


SIDE VIEW



PERSPECTIVE VIEW



GENERAL NOTES

1. Railing Bracket comes in Pairs
2. Fits Railings up to 1-1/2"
3. Rounded Wrought Iron Material is Black Vinyl Coated
4. Horizontal bar measures 5" and rests on Railing Balusters
5. Total height is 8"
6. 1" Space to place the back bar of hayracks or window boxes cages to fit securely in the U-Shape of the Bracket (No Hardware Necessary)
7. Vertical U-Shape is 1-1/2" deep/tall and has a generous 1" Offset to hang your window boxes

HOOKS & LATTICE

A CARLSBAD MANUFACTURING COMPANY

1 (800) 896-0978

HooksandLattice.com

PRODUCT DESCRIPTION				SKU				PREPARED FOR		APPROVAL SIGNATURE
ROUND RAIL BRACKET PAIR FOR CAGES AND HAYRACK				B-72122-PR						
DIMENSIONS	MATERIAL	COLOR / FINISH	REP	DB	DATE	REV	ORDER #	PROJECT / SIDEMARK / IF#	APPROVAL DATE	
			Cressa	RM	02/2025					

PLEASE NOTE: Due to the handmade nature of our products, individual measurements may vary from those listed. The provided dimensions are for reference only

All images are the intellectual property of Hooks and Lattice. Reproduction in any form is strictly prohibitive without the express written permission of Hooks and Lattice. All designs are property of Hooks and Lattice.