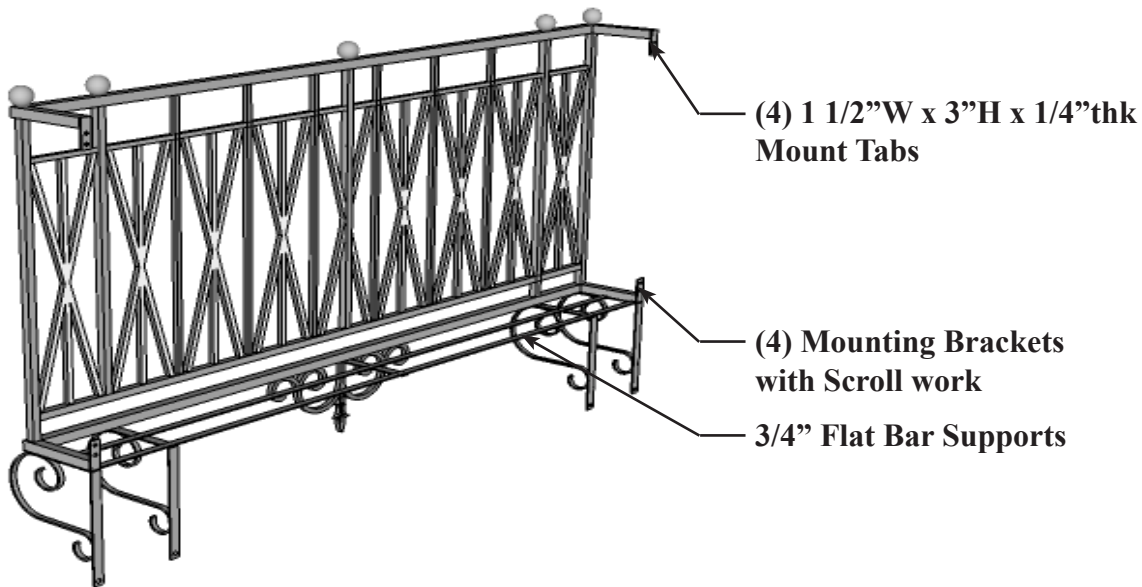
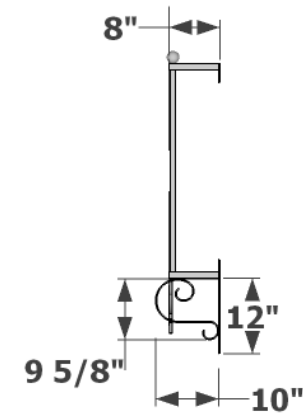


FRONT ELEVATION



BACK PERSPECTIVE



SIDE ELEVATION

Date:
Scale: NTS
DB: RMA
CB:
Rep:
Order#:

Content: Westwood Faux Balcony
PN: 734-BAL-768-34H-BLK
Color/Finish: Powder Coat Black
Customer Approval: _____

Design by Planters Unlimited
All visual representations and designs are the intellectual property of Planters Unlimited and protected under copyright law. Any duplication of this design is in direct violation of the law and will result in legal action. © Copyright 2008-2014

 **PLANTERS UNLIMITED**
By Hooks & Lattice • www.PlantersUnlimited.com
T:888-320-0626 F:760-598-9888