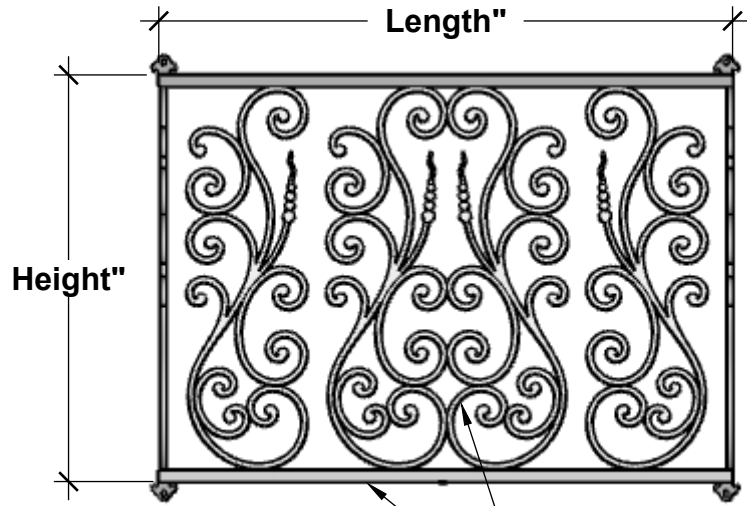
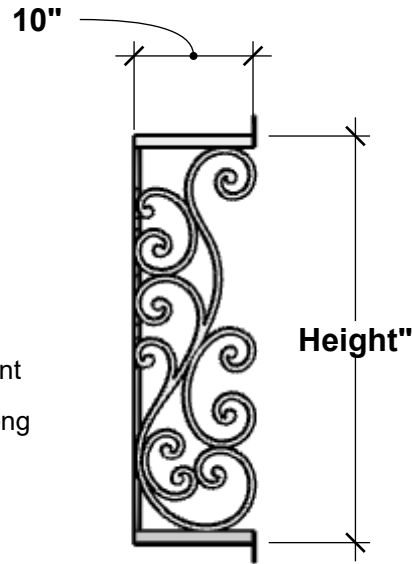


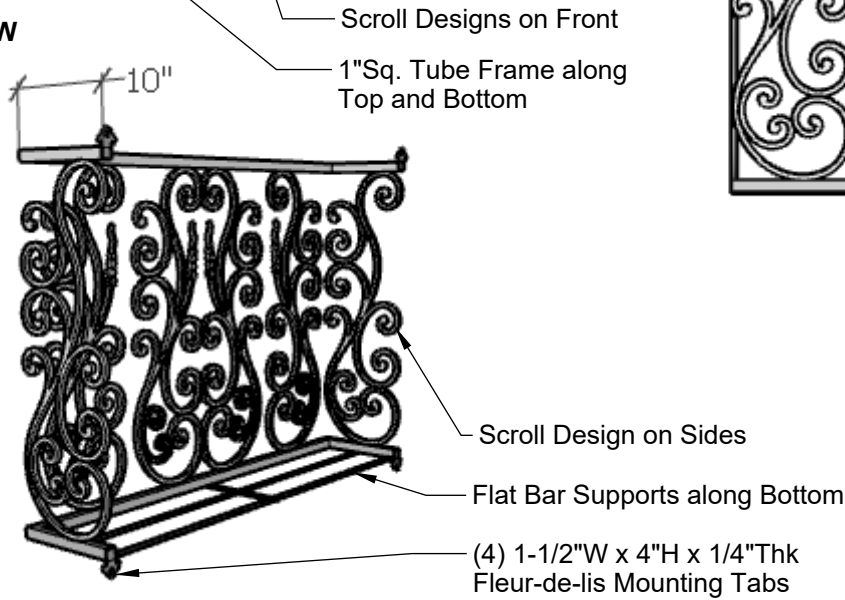
**FRONT VIEW**



**SIDE VIEW**



**PERSPECTIVE VIEW**



**Standard Length Options**

48"

64"

72"

**Standard Height Options**

36"

42"

**Color Options**

Black Powder Coat

Bronze Tone Powder Coat

**GENERAL NOTES**

1. Scroll work, KM 13-33024-518 or manufactured to specification
2. 10" Standard Offset (Front to Back)
3. Custom sizes available
4. Vertical Balusters no more than 4" Apart
5. Installation Hardware not Included

**HOOKS & LATTICE**

A CARLSBAD MANUFACTURING COMPANY

1 (800) 896-0978

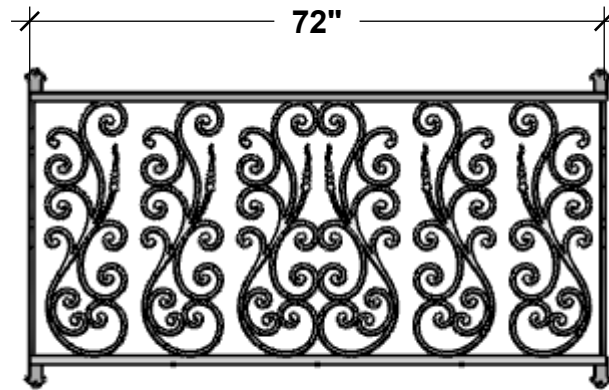
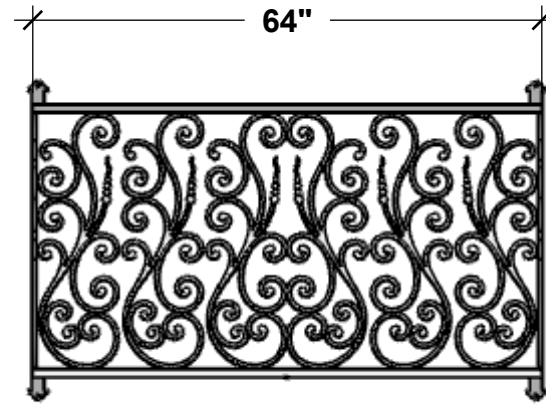
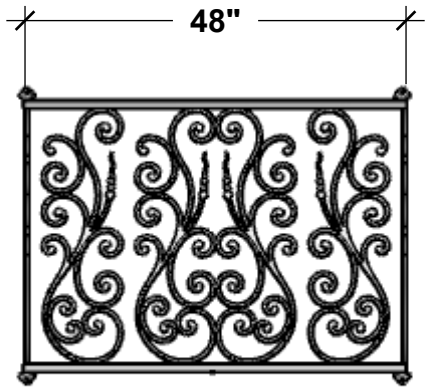
HooksandLattice.com

PRODUCT DESCRIPTION				SKU				PREPARED FOR		APPROVAL SIGNATURE
AUBERGINE FAUX BALCONY				727-BAL						
DIMENSIONS	MATERIAL	COLOR / FINISH	REP	DB	DATE	REV	ORDER #	PROJECT / SIDEMARK / IF#	APPROVAL DATE	
	STEEL		Cressa	RM	11/2024					

PLEASE NOTE: Due to the handmade nature of our products, individual measurements may vary from those listed. The provided dimensions are for reference only

All images are the intellectual property of Hooks and Lattice. Reproduction in any form is strictly prohibitive without the express written permission of Hooks and Lattice. All designs are property of Hooks and Lattice.

**SIZE COMPARISON**



GENERAL NOTES
1. Scroll work, KM 13-33024-518 or manufactured to specification 2. 10" Standard Offset (Front to Back) 3. Custom sizes available 4. Vertical Balusters no more than 4" Apart 5. Installation Hardware not Included

**HOOKS & LATTICE**

A CARLSBAD MANUFACTURING COMPANY

1 (800) 896-0978

HooksandLattice.com

PRODUCT DESCRIPTION				SKU				PREPARED FOR		APPROVAL SIGNATURE
AUBERGINE FAUX BALCONY				727-BAL						
DIMENSIONS	MATERIAL	COLOR / FINISH	REP	DB	DATE	REV	ORDER #	PROJECT / SIDEMARK / IF#		APPROVAL DATE
	STEEL		Cressa	RM	11/2024					

PLEASE NOTE: Due to the handmade nature of our products, individual measurements may vary from those listed. The provided dimensions are for reference only

All images are the intellectual property of Hooks and Lattice. Reproduction in any form is strictly prohibitive without the express written permission of Hooks and Lattice. All designs are property of Hooks and Lattice.