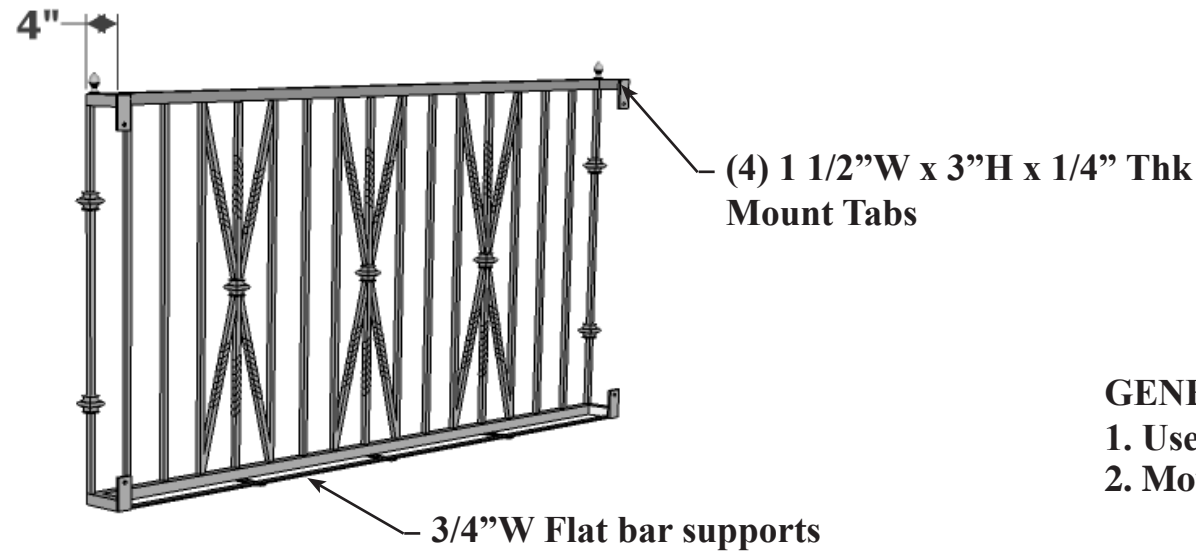


FRONT ELEVATION



BACK PERSPECTIVE

GENERAL NOTES:

1. Use KM Panel or manufacture to specification
2. Mounting Hole size 1/3" diameter

Date:
Scale: NTS
DB: RMA
CB:
Rep:
Order#:

Content: Banbury Faux Balcony
PN: 716-BAL-724-36H-BLK
Color/Finish: Black Powder Coat
Customer Approval: _____

Design by Hooks and Lattice. All visual representations and designs are the intellectual property of Hooks and Lattice and protected under copyright law. Any duplication of this design is in direct violation of the law and will result in legal action. © Copyright 2008-2014



T:800-896-0978

F:760-603-0862