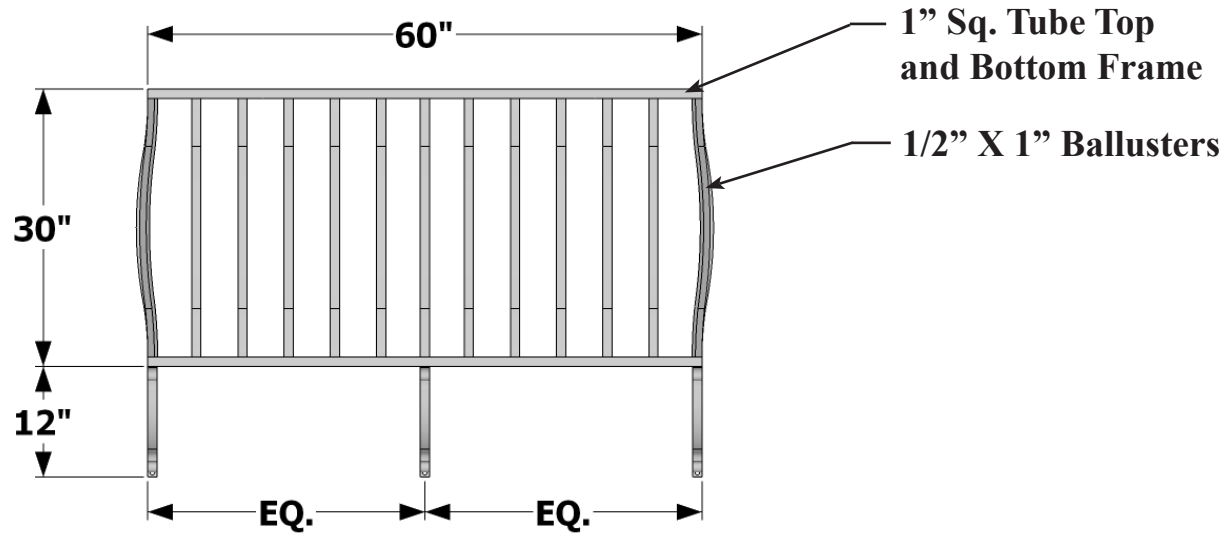
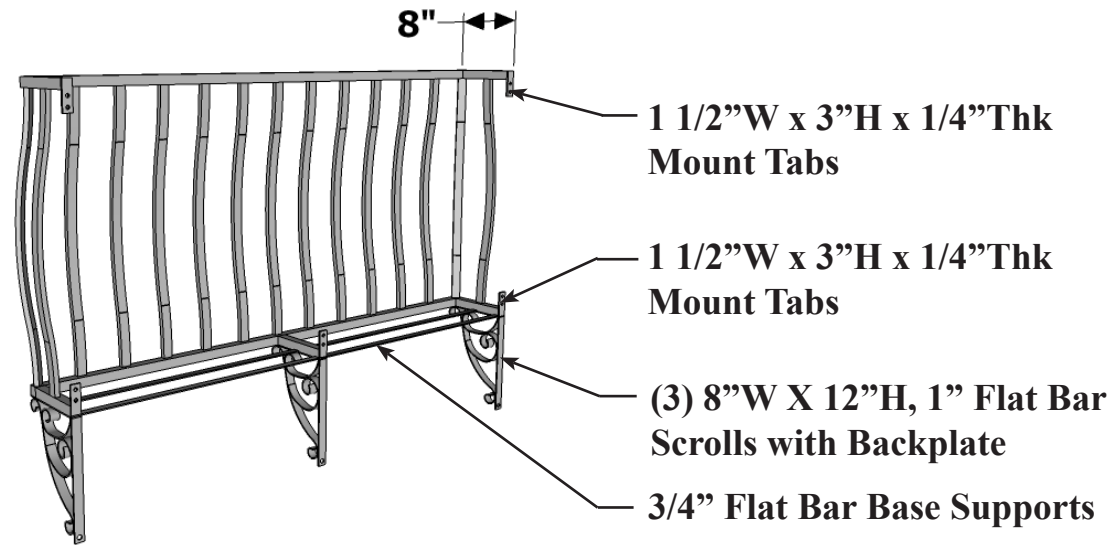


**General Notes:**

1. Faux balcony and scroll supports come separately



FRONT ELEVATION



BACK PERSPECTIVE

Date:  
Scale: NTS  
DB: RMA  
CB:  
Rep:  
Order#:

Content: Vicenza Faux Balcony  
PN: 703-BAL-608-30H-BLK  
Color/Finish: Black Powder Coat  
Customer Approval: \_\_\_\_\_

Design by Hooks and Lattice. All visual representations and designs are the intellectual property of Hooks and Lattice and protected under copyright law. Any duplication of this design is in direct violation of the law and will result in legal action. © Copyright 2008-2014

**Hooks & Lattice**  
A GARDEN MARKET  
T:800-896-0978 F:760-603-0862